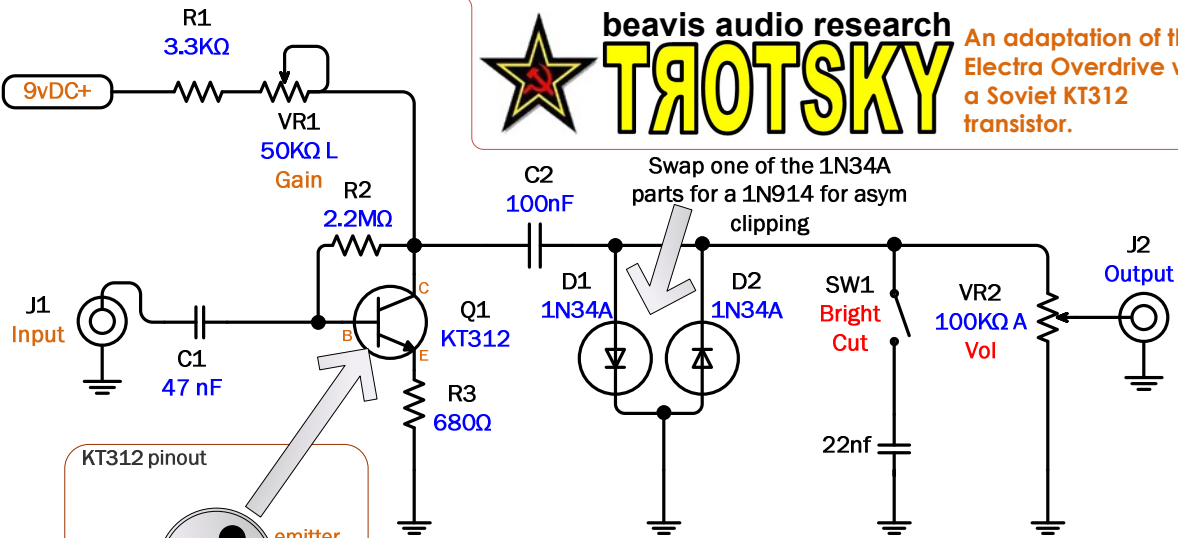




An adaptation of the  
Electra Overdrive with  
a Soviet KT312  
transistor.

Schematic



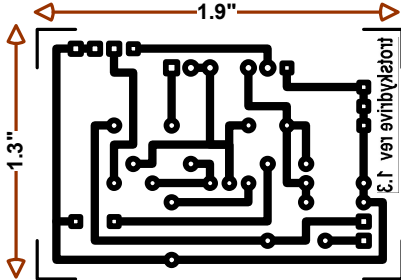
KT312 pinout



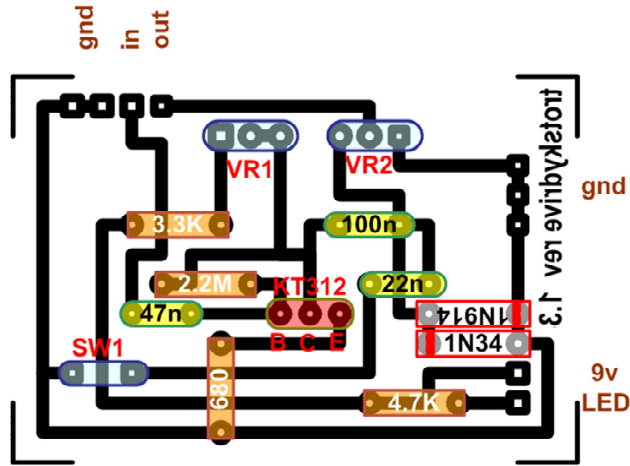
Substitute a 2N3904 or  
2N2222 if you don't have the  
Russian part

Swap one of the 1N34A  
parts for a 1N914 for asym  
clipping

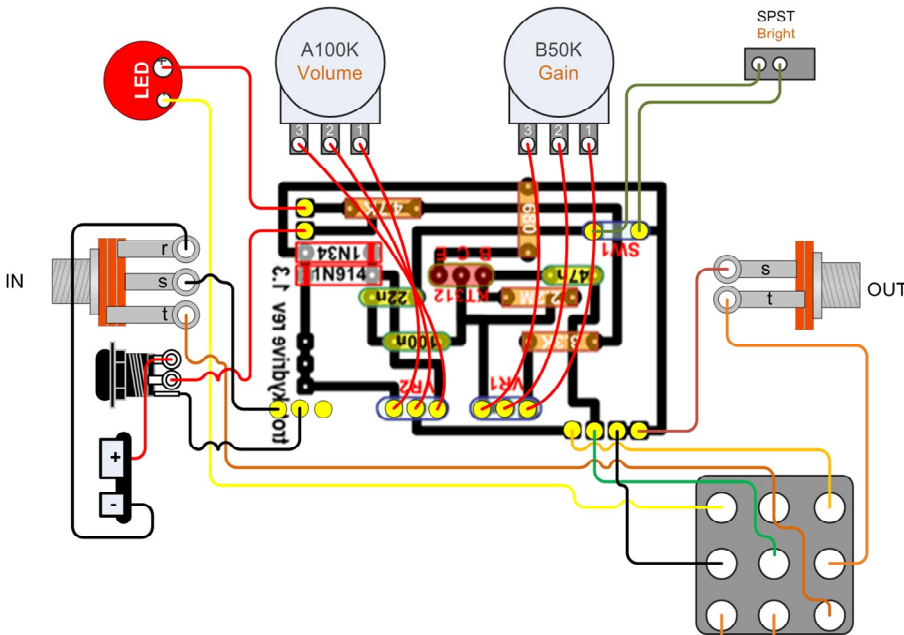
PCB Etch



Parts Layout



Wiring Diagram



Parts List

- J1 - ¼" Stereo Input Jack
- J2 - ¼" Mono Input Jack
- R1 - 3K3
- R2 - 2M2
- R3 - 680R
- R4 - 4K7 (LED resistor)
- C1 - 47nf poly film
- C2 - 100nf poly film
- C3 - 22nf poly film
- VR1 - 50 K Linear Taper (Gain)
- VR2 - 100K Audio Taper (Vol)
- Q1 - Low-gain NPN transistor:  
KT312, 2N3904 or 2N2222
- D1 - 1N34A germ. diode
- D2 - 1N34A germ. or 1N914  
silicon
- SW1 - SPST toggle switch



Revision 1.4  
www.bevisaudio.com